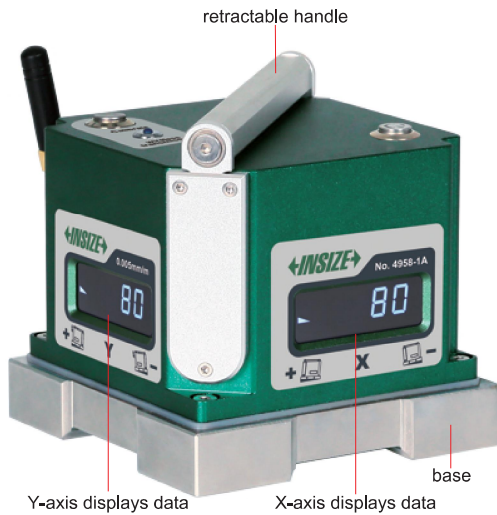
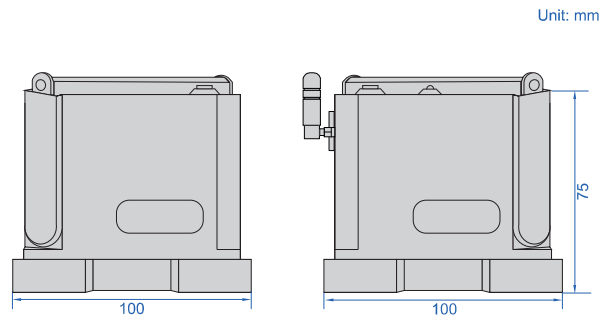


**BUILT-IN
BLUETOOTH**

BUILT-IN BLUETOOTH DUAL-AXIS DIGITAL LEVEL



4958-1A



- Measure the level of machine tools and other equipments
- Displays on both X-axis and Y-axis
- Built-in bluetooth, transmission distance is 30 meters (under the condition of no obstruction and no electromagnetic interference)
- Android and iPhone APP are included
- Unit: 00°00'01", mm/m
- Power supply: 1 x 21700 Li-ion battery, for 30h continuous working
- Optional accessory: handheld display (Code **4958-DP**)

2pcs Li-ion batteries and charger (included)



Code	Range	Resolution	Accuracy	Net weight	Remark
4958-1A	±2.5mm/m	0.005mm/m	±(0.005+2%A)*	1.8kg	with handheld display
4958-1B	±2.5mm/m	0.005mm/m	±(0.005+2%A)*	1.6kg	without handheld display

*A is the absolute measured value, for example A=1mm/m, the resolution is 0.005mm/m, the accuracy is 0.025mm/m

data output

